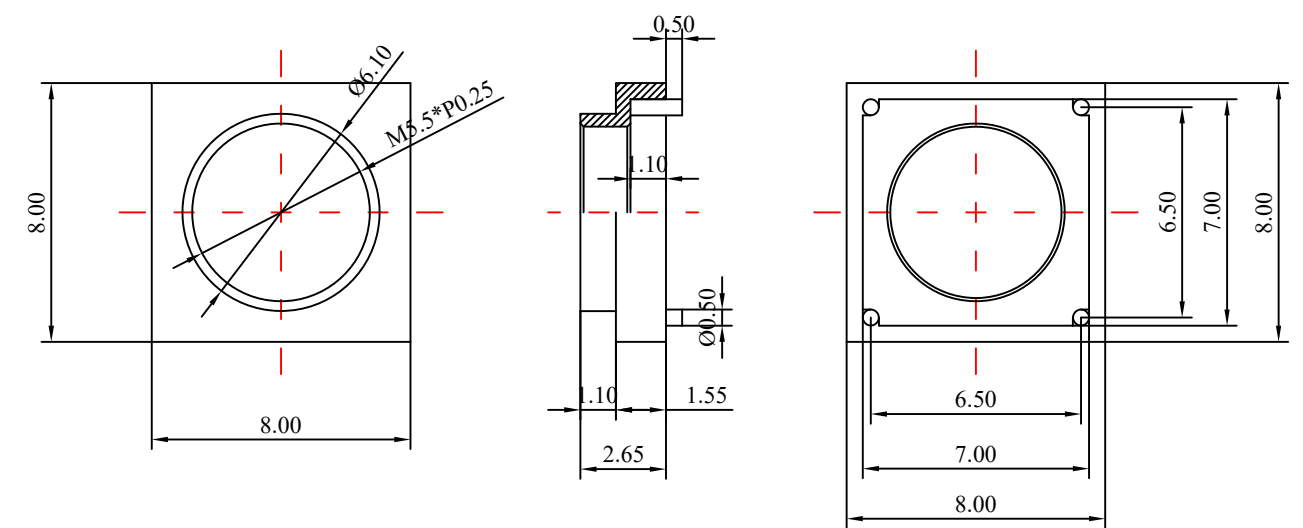
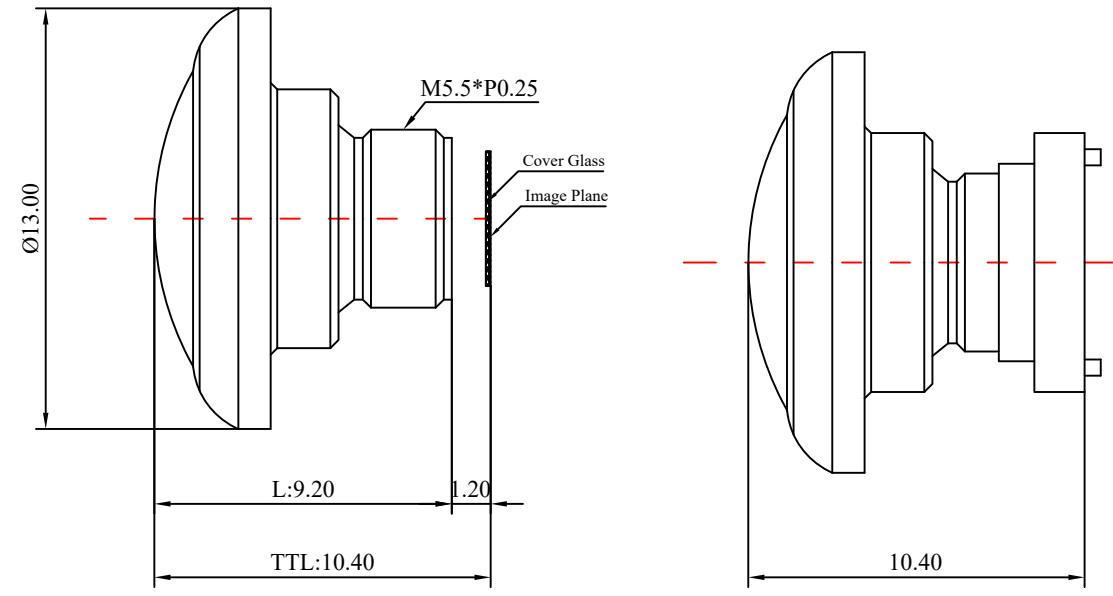


1	Type	M5.5 Lens	
2	Resolution	MP	
3	Image Format	1/5"	
4	Image Circle	φ3.3mm(MAX)	
5	EFL	2.2mm	
6	TTL	10.4mm	
7	F/NO.	F2.0	
8	FFL (M)	1.20mm	
9	BFL (O)	1.76mm	
10	For Sensor	1/5"	
11	F.O.V	Horizontal	150°
12		Vertical	110°
13		Diagonal	180°
14	TV Distortion	<-19%	
15	Relative Ill.	---	
16	Chief Ray Angle	<30°	
17	M.O.D	0.01m~∞	
18	Mount Type	M5.5*P0.25	
19	Dimension Figure	φ13.0*L9.2mm	
20	Lens Structure	6P	
21	IR-Filter	Non-IR	
22	Waterproof	No	
23	Weight	---	
24	Iris Operation	Fixed	
25	Zoom Operation	Fixed	
26	Focus Operation	Manual	
27	Operating Temperature	-15° ~+45°	
28	Storage Temperature	-15° ~+45°	



Scale	Remark	Tolerances	Date	Revised		福州创安光电科技有限公司 FUZHOU CHUANGAN OPTICS CO., LTD
4:1	X	±0.2	2024-01-25	CH2036A Rev1.0		
	X.0	±0.15				
Units	X.00	±0.10	Design	Linda	2023-11-27	
	X.000	±0.001	Checked	Anna	2023-12-02	
mm	Angle	±0.5°	Approval	Sanmu	2023-12-23	

