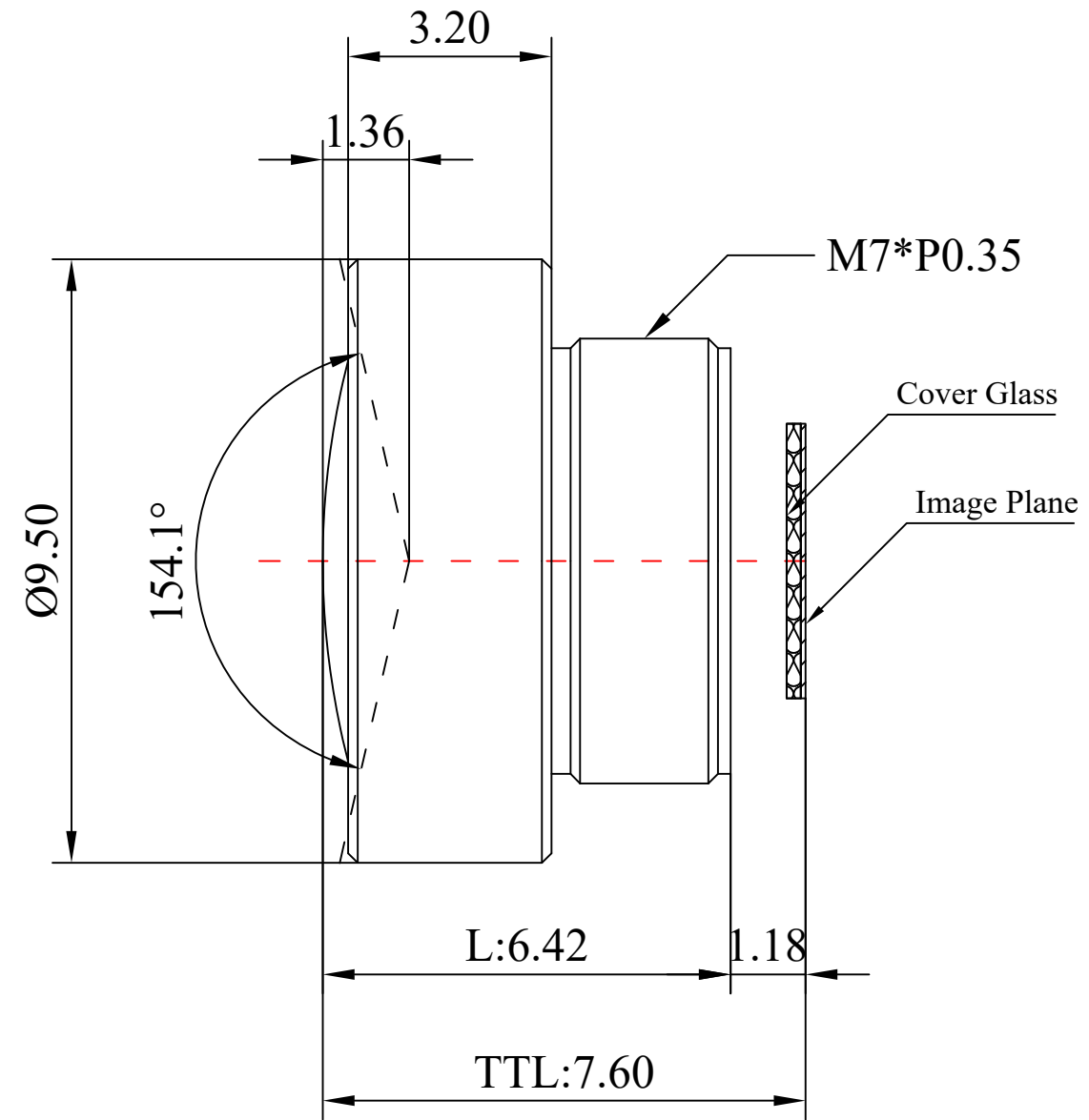
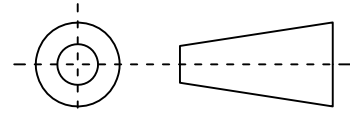


1	Type	M7 Lens	
2	Resolution	MP	
3	Image Format	1/6.5"	
4	Image Circle	φ2.9mm(MAX)	
5	EFL	0.86mm	
6	TTL	7.6mm	
7	F/NO.	2.8	
8	FFL (M)	1.18mm	
9	BFL (O)	1.86mm	
10	For Sensor	1/6.5"	
11	F.O.V	Horizontal	115.5°
12		Vertical	90.5°
13		Diagonal	154.1°
14	TV Distortion	<-26%	
15	Relative Ill.	>75%	
16	Chief Ray Angle	<30°	
17	M.O.D	0.1m~∞	
18	Mount Type	M7*P0.35	
19	Dimension Figure	φ9.5*L6.42mm	
20	Lens Structure	3P	
21	IR-Filter	T=50%&IR650±10nm	
22	Waterproof	---	
23	Weight	---	
24	Iris Operation	Fixed	
25	Zoom Operation	Fixed	
26	Focus Operation	Manual	
27	Operating Temperature	-15° ~+45°	
28	Storage Temperature	-15° ~+45°	



Scale	Remark	Tolerances	Date	Revised		福州创安光电科技有限公司 FUZHOU CHUANGAN OPTICS CO., LTD
4:1	X	±0.2	2022-06-07	CH2025AB Rev1.0		
	X.0	±0.15				
Units	X.00	±0.10	Design	Linda	2022-04-27	 3D Angle Projection
	X.000	±0.001	Checked	Anna	2022-05-16	
mm	Angle	±0.5°	Approval	Sanmu	2022-05-23	