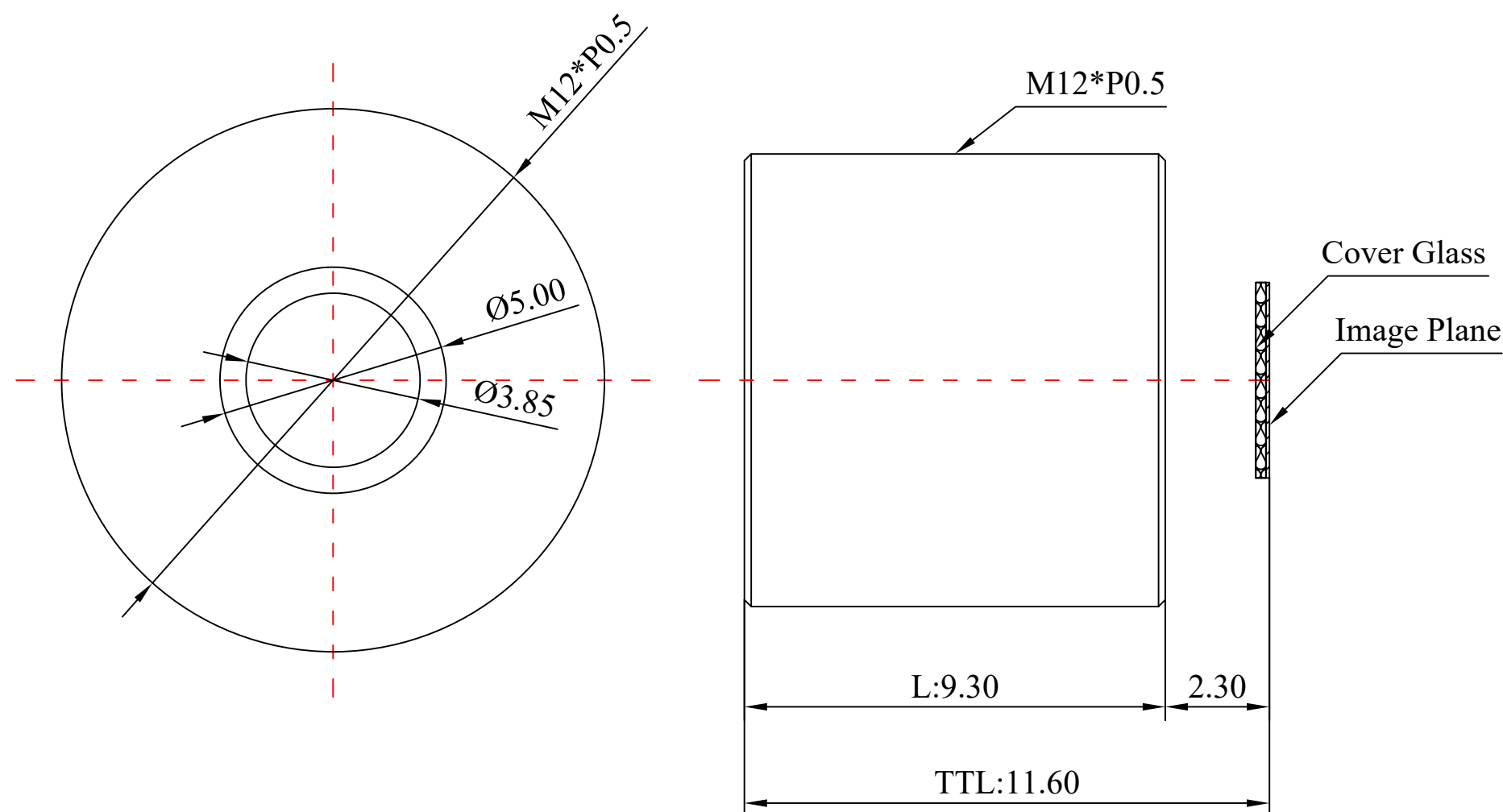


1	Type	M7 Board Lens
2	Resolution	5MP
3	Image Format	1/4"
4	Image Circle	φ4.8mm(MAX)
5	EFL	6.5mm
6	TTL	11.60mm
7	F/NO.	6.0
8	FFL (M)	2.30mm
9	BFL (O)	2.60mm
10	For Sensor	1/4'
11	F.O.V	35°
12		
13		
14	OPT Distortion	<-1%
15	Relative Ill.	>65%
16	Chief Ray Angle	<25°
17	M.O.D	0.1m~∞
18	Mount Type	M12*P0.5
19	Dimension Figure	Ø12.0*L9.30mm
20	Lens Structure	4G
21	IR-Filter	T=50%&IR650±10nm
22	Waterproof	No
23	Weight	---
24	Iris Operation	Fixed
25	Zoom Operation	Fixed
26	Focus Operation	Manual
27	Operating Temperature	-10° ~+45°
28	Storage Temperature	-10° ~+45°



Scale	Remark	Tolerances	Date	Revised		福州创安光电科技有限公司 FUZHOU CHUANGAN OPTICS CO., LTD
4:1	X	±0.2	2021-05-21	CH2017AB Rev1.0		
	X.0	±0.15				
Units	X.00	±0.10	Design	Linda	2020-11-16	
	X.000	±0.001	Checked	Anna	2020-12-09	
mm	Angle	±0.5°	Approval	Sanmu	2021-01-11	

