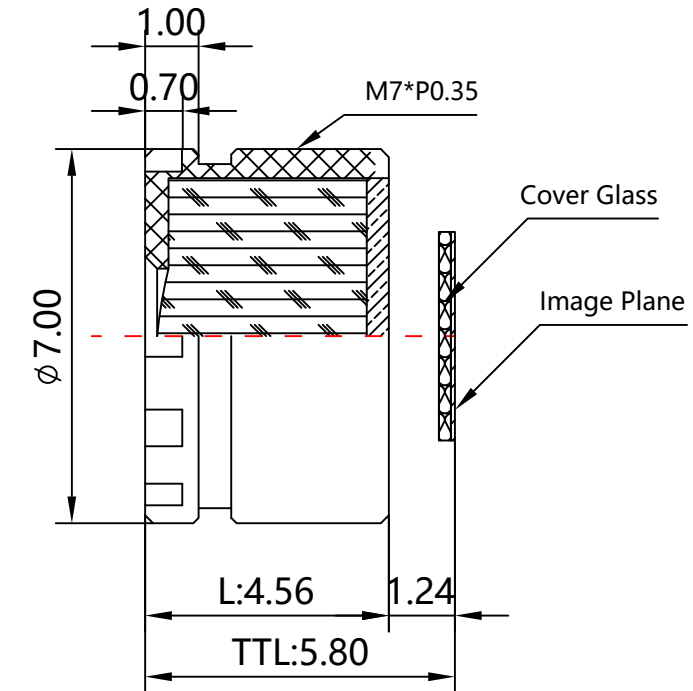
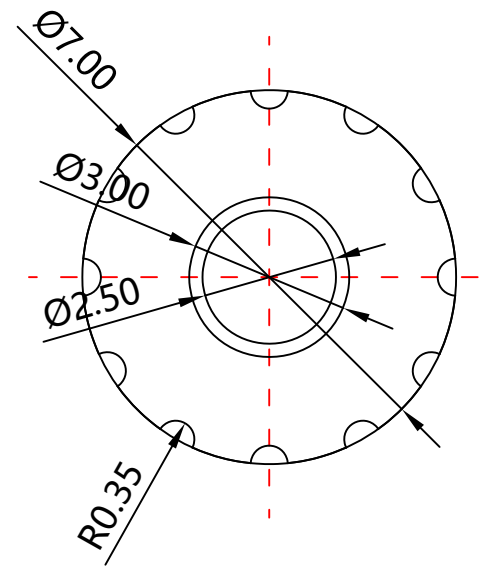


1	Type	Board Lens
2	Resolution	MP
3	Image Format	1/4"
4	Image Circle	φ4.6mm(MAX)
5	EFL	4.20mm
6	TTL	5.8mm
7	F/NO.	5.6
8	FFL (M)	1.24mm
9	BFL (O)	1.60mm
10	For Sensor	1/4"
11	F.O.V	50°
12		
13		
14	TV Distortion	<-1%
15	Relative Ill.	>50%
16	Chief Ray Angle	<30°
17	M.O.D	0.1m~∞
18	Mount Type	M7*P0.35
19	Dimension Figure	φ7.00*L4.56mm
20	Lens Structure	4P
21	IR-Filter	Non-IR
22	Weight	0.2g
23	Iris Operation	Fixed
24	Zoom Operation	Fixed
25	Focus Operation	Manual
26	Operating Temperature	-10° ~+45°
27	Storage Temperature	-10° ~+45°



Scale	Remark	Tolerances	Date	Revised		福州创安光电科技有限公司 FUZHOU CHUANGAN OPTICS CO., LTD
5: 1	X	± 0.2	2019-06-22	CH2007F Rev1.0		
	X.0	± 0.15				
Units	X.00	± 0.10	Design	Linda	2015-04-15	
	X.000	± 0.001	Checked	Anna	2015-06-15	
mm	Angle	± 0.5°	Approval	Sanmu	2015-06-19	

