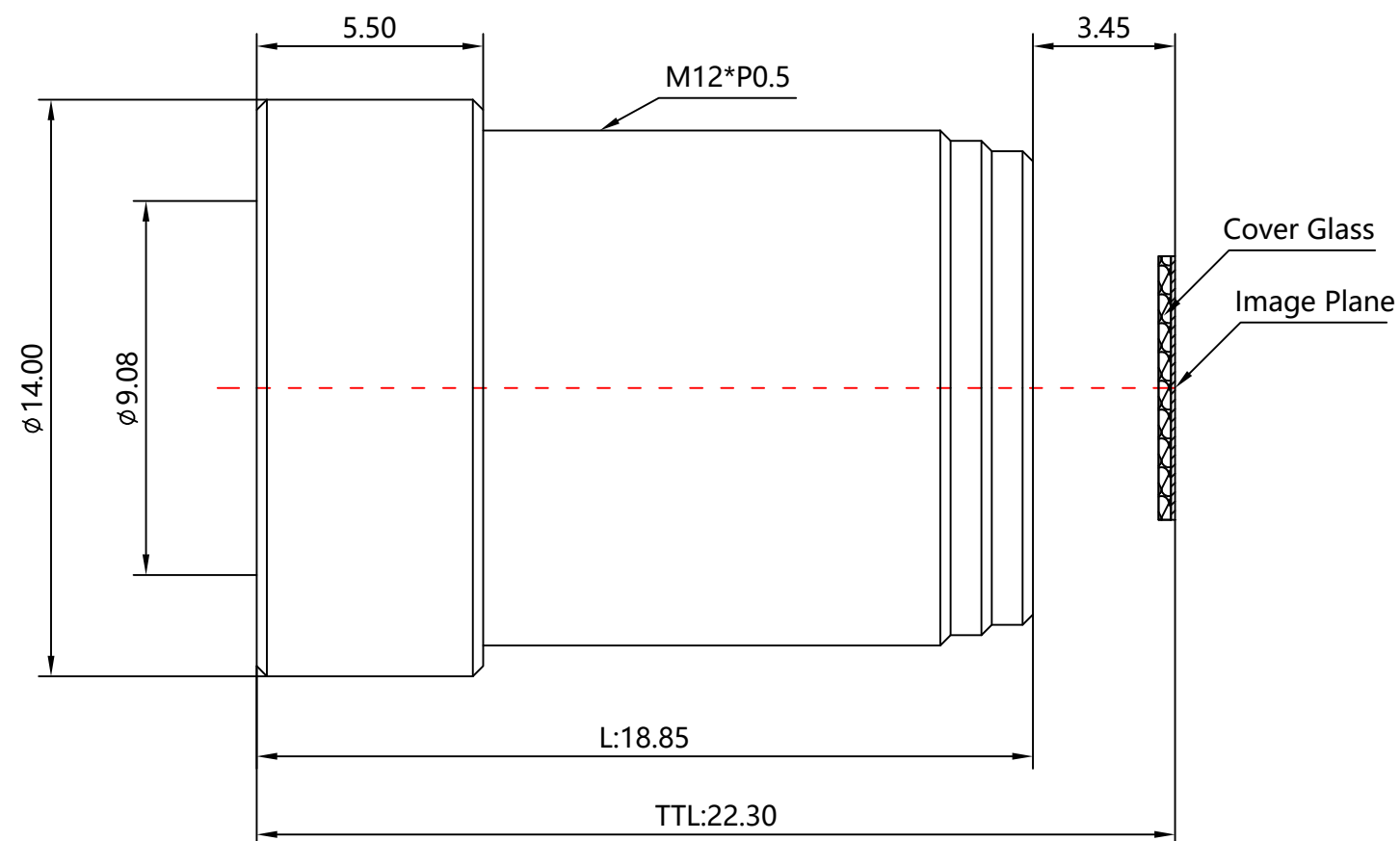
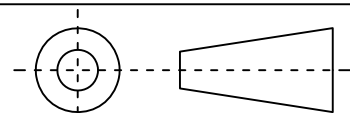


1	Type	Scan Lens	
2	Resolution	10MP	
3	Image Format	1/2.3"	
4	Image Circle	φ8.00mm(MAX)	
5	EFL	4.55mm	
6	TTL	22.3mm	
7	F/NO.	5.0	
8	FFL (M)	3.45mm	
9	BFL (O)	4.56mm	
10	For Sensor	MT9J003&OV14810	
11	F.O.V	Horizontal	71°
12		Vertical	50°
13		Diagonal	82°
14	TV Distortion	<-0.5%	
15	Relative Ill.	>69%	
16	Chief Ray Angle	14°	
17	M.O.D	0.1m~∞	
18	Mount Type	M12*P0.5	
19	Dimension Figure	φ14.0*L18.85mm	
20	Lens Structure	3G2P	
21	IR-Filter	T=50%@650nm±20nm	
22	Weight	5g	
23	Iris Operation	Fixed	
24	Zoom Operation	Fixed	
25	Focus Operation	Manual	
26	Operating Temperature	-20° ~+45°	
27	Storage Temperature	-20° ~+85°	



Scale	Remark	Tolerances	Date	Revised		福州创安光电科技有限公司 FUZHOU CHUANGAN OPTICS CO., LTD
4: 1	X	± 0.2	2019-06-16	CH1976D Rev1.0		
	X.0	± 0.15				
Units	X.00	± 0.10	Design	Linda	2017-03-09	 3D Angle Projection
	X.000	± 0.001	Checked	Anna	2017-06-10	
mm	Angle	± 0.5°	Approval	Sanmu	2017-06-10	