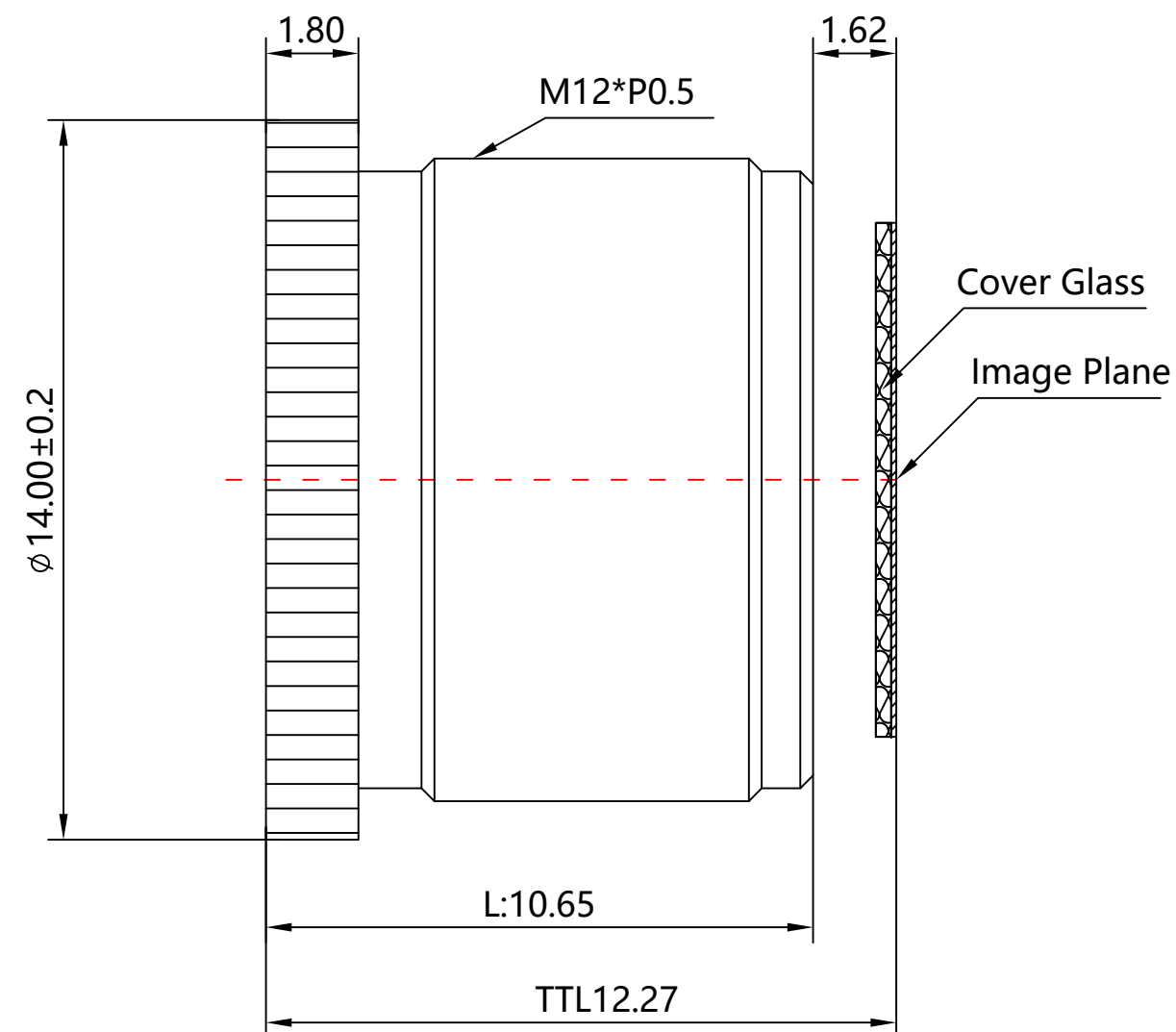


1	Type	Scan Lens	
2	Resolution	5MP	
3	Image Format	1/2.5"	
4	Image Circle	φ7.2mm(MAX)	
5	EFL	6.21mm	
6	TTL	12.27mm	
7	F/NO.	5.0	
8	FFL (M)	1.62mm	
9	BFL (O)	1.80mm	
10	For Sensor	1/2.5"	
11	F.O.V	Horizontal	52°
12		Vertical	45°
13		Diagonal	62°
14	TV Distortion	<-0.5%	
15	Relative Ill.	>50%	
16	Chief Ray Angle	<20°	
17	M.O.D	0.1m~∞	
18	Mount Type	M12*P0.5-6g	
19	Dimension Figure	φ14.0*L10.65mm	
20	Lens Structure	2G2P	
21	IR-Filter	T=50%&IR650nm±10nm	
22	Weight	1g	
23	Iris Operation	Fixed	
24	Zoom Operation	Fixed	
25	Focus Operation	Manual	
26	Operating Temperature	-10° ~+45°	
27	Storage Temperature	-10° ~+45°	



Scale	Remark	Tolerances	Date	Revised		福州创安光电科技有限公司 FUZHOU CHUANGAN OPTICS CO., LTD
4: 1	X	± 0.2	2019-05-17	CH1974E Rev1.0		
	X.0	± 0.15				
Units	X.00	± 0.10	Design	Linda	2016-06-15	 3D Angle Projection
	X.000	± 0.001	Checked	Anna	2016-08-16	
mm	Angle	± 0.5°	Approval	Sanmu	2016-10-25	