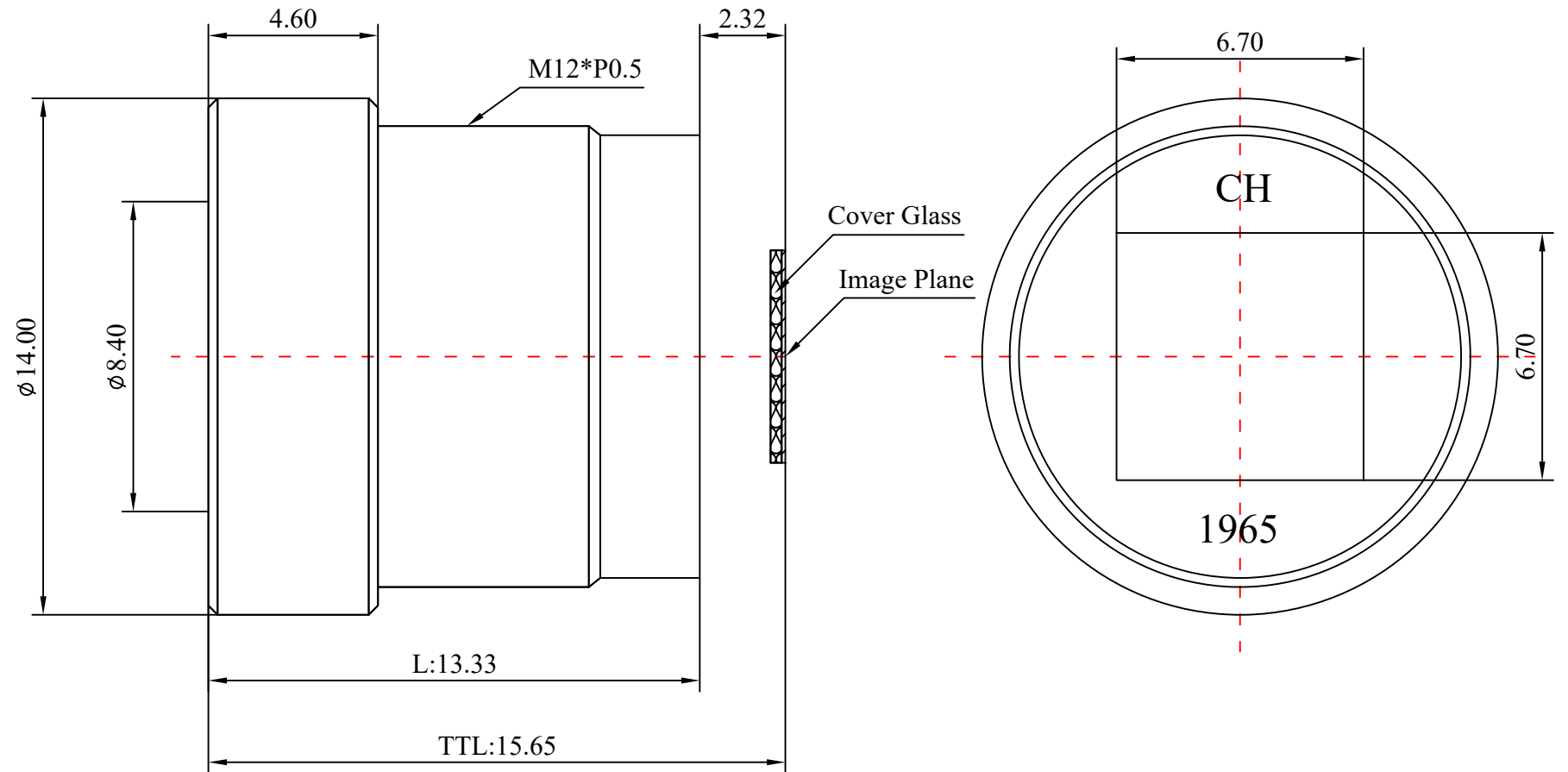


| | | | |
|----|-----------------------|----------------|------|
| 1 | Type | Scan Lens | |
| 2 | Resolution | 5MP | |
| 3 | Image Format | 1/2.5" | |
| 4 | Image Circle | φ7.2mm(MAX) | |
| 5 | EFL | 3.25mm | |
| 6 | TTL | 15.65mm | |
| 7 | F/NO. | 2.5 | |
| 8 | FFL (M) | 2.32mm | |
| 9 | BFL (O) | 3.50mm | |
| 10 | For Sensor | 1/2.5" | |
| 11 | F.O.V | Horizontal | 86° |
| 12 | | Vertical | 56° |
| 13 | | Diagonal | 100° |
| 14 | TV Distortion | <-0.5% | |
| 15 | Relative Ill. | >50% | |
| 16 | Chief Ray Angle | <14° | |
| 17 | M.O.D | 0.1m~∞ | |
| 18 | Mount Type | M12*P0.5 | |
| 19 | Dimension Figure | φ14.0*L13.33mm | |
| 20 | Lens Structure | 2G2P | |
| 21 | IR-Filter | Non-IR | |
| 22 | Weight | 1.7g | |
| 23 | Iris Operation | Fixed | |
| 24 | Zoom Operation | Fixed | |
| 25 | Focus Operation | Manual | |
| 26 | Operating Temperature | -10° ~+45° | |
| 27 | Storage Temperature | -10° ~+45° | |



| Scale | Remark | Tolerances | Date | Revised | | 福州创安光电科技有限公司 FUZHOU CHUANGAN OPTICS CO., LTD |
|-------|--------|------------|------------|-----------------|------------|---|
| 4: 1 | X | ± 0.2 | 2021-12-31 | CH1965BC Rev1.0 | | |
| | X.0 | ± 0.15 | | | | |
| Units | X.00 | ± 0.10 | Design | Linda | 2016-06-15 | |
| | X.000 | ± 0.001 | Checked | Anna | 2016-08-16 | |
| mm | Angle | ± 0.5° | Approval | Sanmu | 2016-10-25 | |

