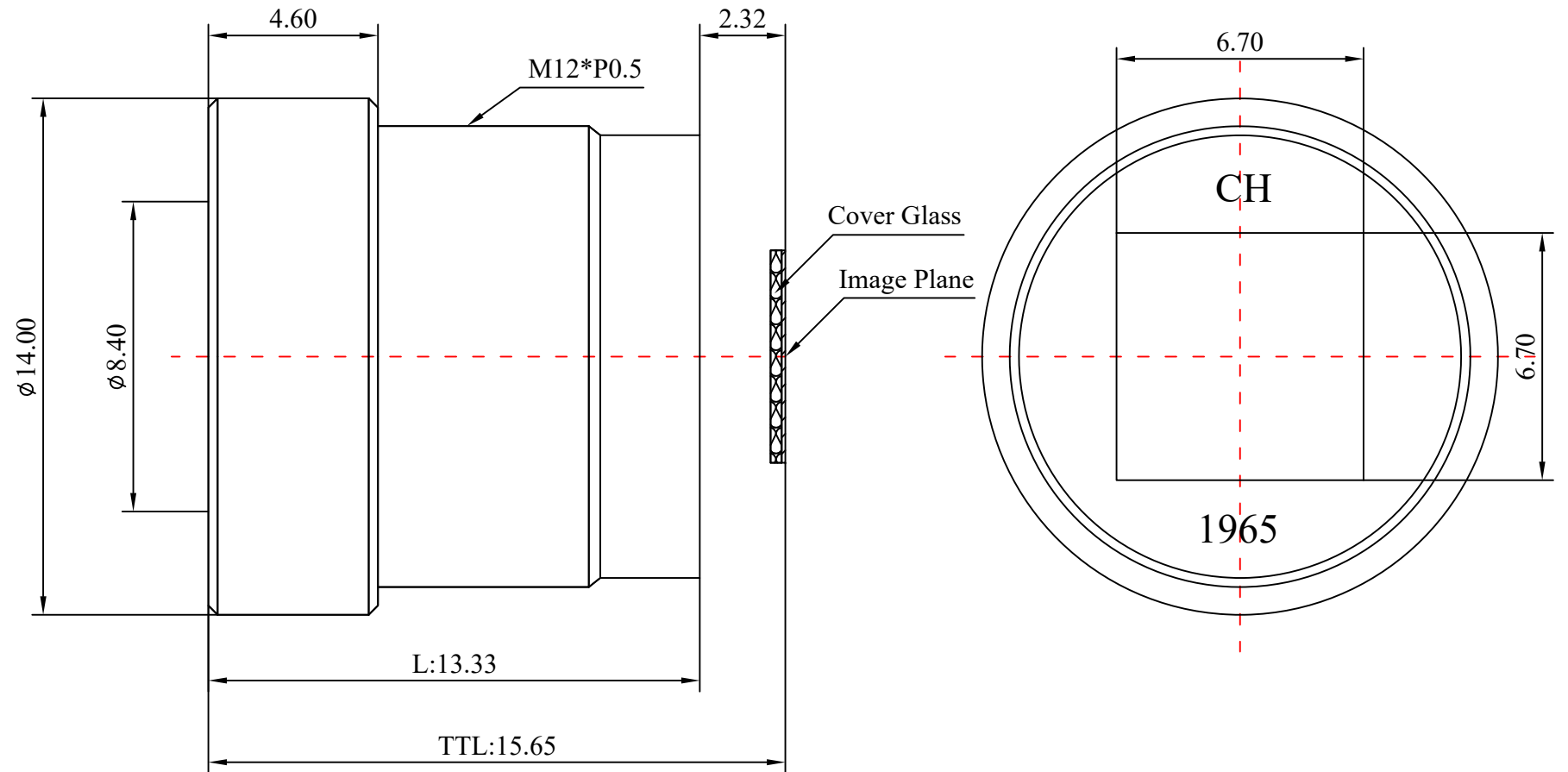


1	Type	Scan Lens	
2	Resolution	5MP	
3	Image Format	1/2.5"	
4	Image Circle	φ7.2mm(MAX)	
5	EFL	3.25mm	
6	TTL	15.65mm	
7	F/NO.	2.5	
8	FFL (M)	2.32mm	
9	BFL (O)	3.50mm	
10	For Sensor	1/2.5"	
11	F.O.V	Horizontal	86°
12		Vertical	56°
13		Diagonal	100°
14	TV Distortion	<-0.5%	
15	Relative Ill.	>50%	
16	Chief Ray Angle	<14°	
17	M.O.D	0.1m~∞	
18	Mount Type	M12*P0.5	
19	Dimension Figure	φ14.0*L13.33mm	
20	Lens Structure	2G2P	
21	IR-Filter	T=50%&IR650±10nm	
22	Weight	1.7g	
23	Iris Operation	Fixed	
24	Zoom Operation	Fixed	
25	Focus Operation	Manual	
26	Operating Temperature	-10° ~+45°	
27	Storage Temperature	-10° ~+45°	



Scale	Remark	Tolerances	Date	Revised		福州创安光电科技有限公司 FUZHOU CHUANGAN OPTICS CO., LTD
4: 1	X	± 0.2	2019-05-16	CH1965B Rev1.0		
	X.0	± 0.15				
Units	X.00	± 0.10	Design	Linda	2016-06-15	
	X.000	± 0.001	Checked	Anna	2016-08-16	
mm	Angle	± 0.5°	Approval	Sanmu	2016-10-25	

