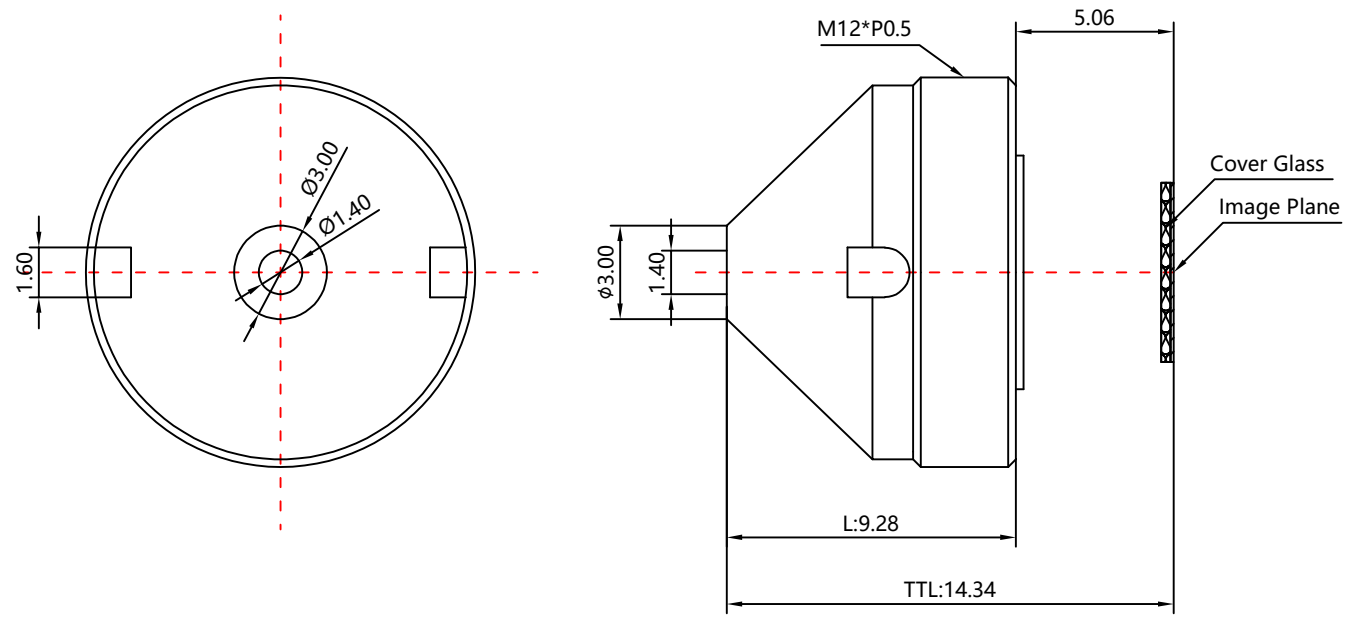




PRODUCT: CH1927PA

1	Type	Pinhole lens	
2	Resolution	MP	
3	Image Format	1/2.7"	
4	Image Circle	φ6.8mm(MAX)	
5	EFL	4.3mm	
6	TTL	14.56mm	
7	F/NO.	2.5	
8	FFL (M)	5.06mm	
9	BFL (O)	5.78mm	
10	For Sensor	1/2.7"	
11	F.O.V	Horizontal	75°
12		Vertical	56°
13		Diagonal	93°
14	TV Distortion	<-13%	
15	Relative Ill.	>63%	
16	Chief Ray Angle	<8.6°	
17	M.O.D	0.1m~∞	
18	Mount Type	M12*P0.5-6g	
19	Dimension Figure	φ12.00*L9.28mm	
20	Lens Structure	6G	
21	IR-Filter	T=50%&IR650±10nm	



22	Weight	1.8g	Scale	Remark	Tolerances	Date	Revised	
23	Iris Operation	Fixed		5: 1	X	± 0.2	2019-05-12	CH1927PA Rev1.0
24	Zoom Operation	Fixed	Units		X.0	± 0.15		
25	Focus Operation	Manual		mm	X.00	± 0.10	Design	Linda
26	Operating Temperature	-20° ~+85°	X.000		± 0.001	Checked	Anna	2017-03-15
27	Storage Temperature	-20° ~+85°	Angle		± 0.5°	Approval	Sanmu	2017-04-12

福州创安光电科技有限公司
FUZHOU CHUANGAN OPTICS CO., LTD

