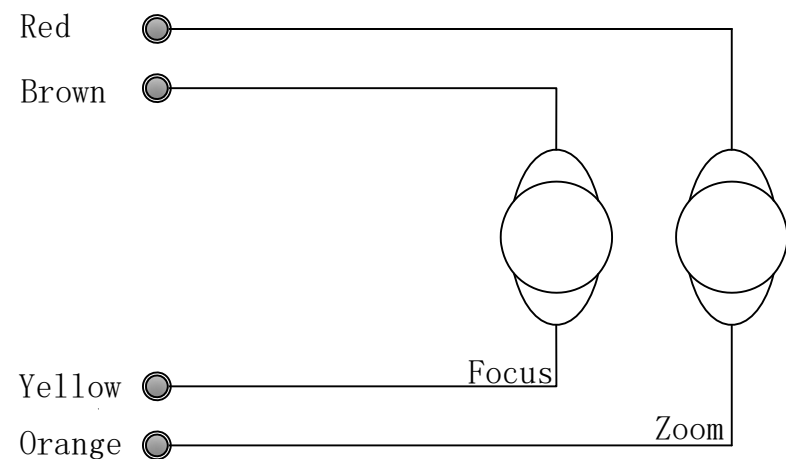
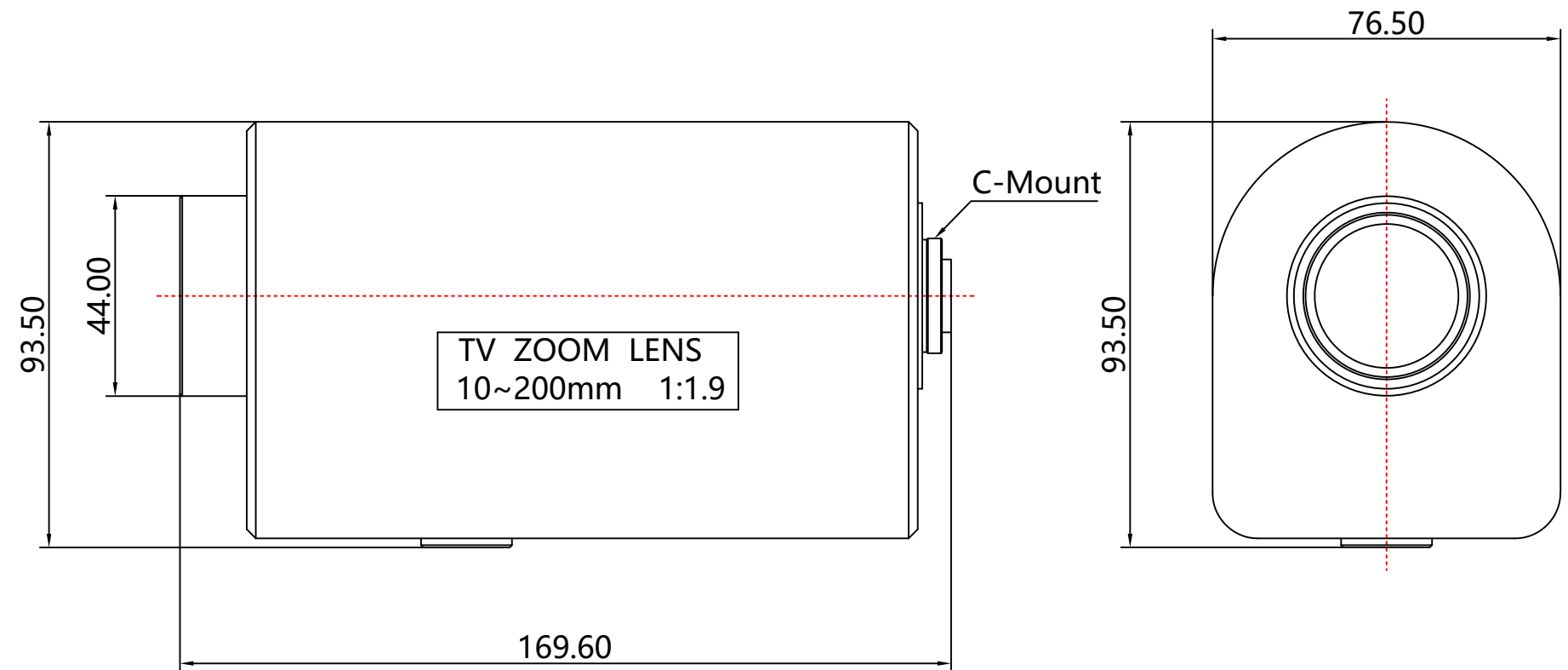
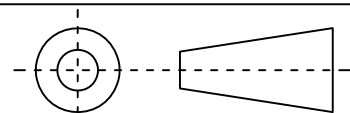


1	Type	Motor Lens
2	Resolution	MP
3	Image Format	1/2"
4	Image Circle	φ8.0mm(MAX)
5	EFL	10~200mm
6	F/NO.	F1.9~360
7	F.O.V	36.5° ~ 1.75°
8	M.O.D	0.3m~∞
9	Mount Type	C
10	Dimension Figure	W76.5*H93.5*L169.6mm
11	Lens Structure	12G
12	IR-Filter	Non-IR
13	Weight	---
14	Iris Operation	Auto
15	Zoom Operation	Motorized
16	Focus Operation	Motorized
17	Operating Temperature	-20° ~+85°
18	Storage Temperature	-20° ~+85°



Remark:Preset

Scale	Remark	Tolerances	Date	Revised		福州创安光电科技有限公司 FUZHOU CHUANGAN OPTICS CO., LTD
1 : 1	X	± 0.2	2019-08-19	CH192A Rev1.0		
Units	X.0	± 0.15				 3D Angle Projection
	X.00	± 0.10	Design	Linda	2014-10-15	
mm	X.000	± 0.001	Checked	Anna	2014-12-11	
	Angle	± 0.5°	Approval	Sanmu	2014-12-15	