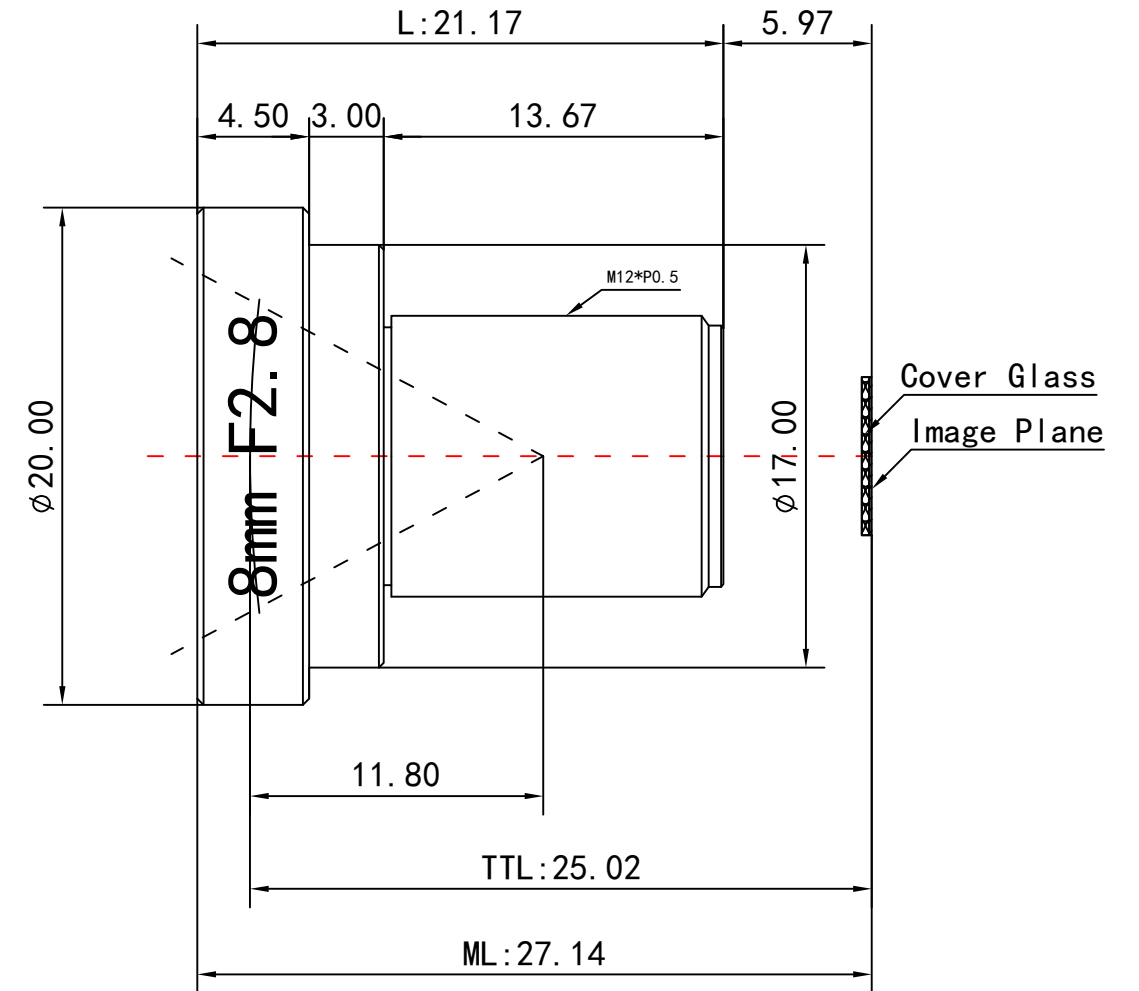
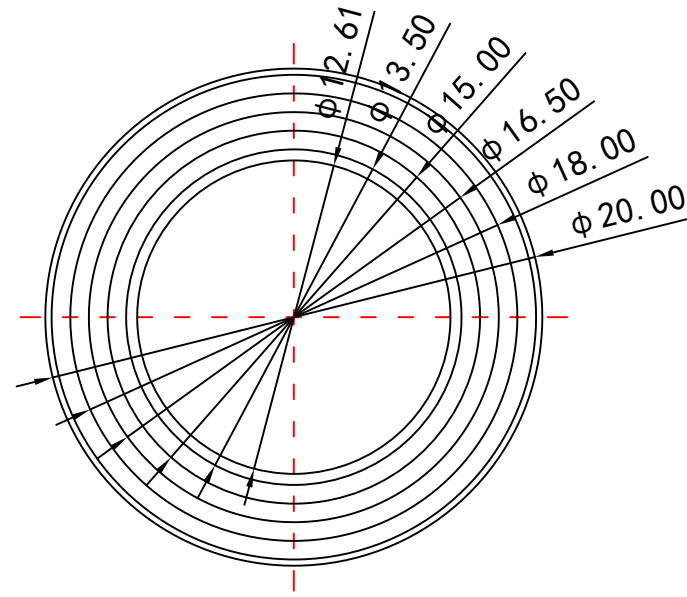


1	Type	Low Distortion Lens		
2	Resolution	8.8MP		
3	Image Format	1/1.8"		
4	Image Circle	φ9.0mm(MAX)		
5	EFL	8.0mm		
6	TTL	25.02mm		
7	F/NO.	2.8		
8	FFL (M)	5.97mm		
9	BFL (O)	9.38mm		
10	For Sensor	1/1.8"	1/3"	
11	F.O.V	Horizontal	47°	32°
12		Vertical	35°	25°
13		Diagonal	56°	40°
14	TV Distortion	<-0.3%	<-0.2%	
15	Relative Ill.	>60%	>65%	
16	Chief Ray Angle	<24°	<24°	
17	M.O.D	0.15m~∞		
18	Mount Type	M12*P0.5		
19	Dimension Figure	φ20.0*L21.17mm		
20	Lens Structure	7G8E All Glass		
21	Filter	T=50%&IR650±10nm		
22	Weight	7.4g		
23	Iris Operation	Fixed		
24	Zoom Operation	Fixed		
25	Focus Operation	Manual		
26	Operating Temperature	-20° +65°		
27	Storage Temperature	-20° +85°		



Remark:  
 IR Blue Glass  
 刻字 8mm F2.8

Scale	Remark	Tolerances	Date	Revised		福州创安光电科技有限公司 FUZHOU CHUANGAN OPTICS CO., LTD
4: 1	X	± 0.1	2017-04-11	CH162FB Rev1.0		
	X.0	± 0.05				
Units	X.00	± 0.03	Design	Linda	2017-02-10	
	X.000	± 0.001	Checked	Anna	2017-03-10	
mm	Angle	± 0.5°	Approval	Sanmu	2017-03-28	

