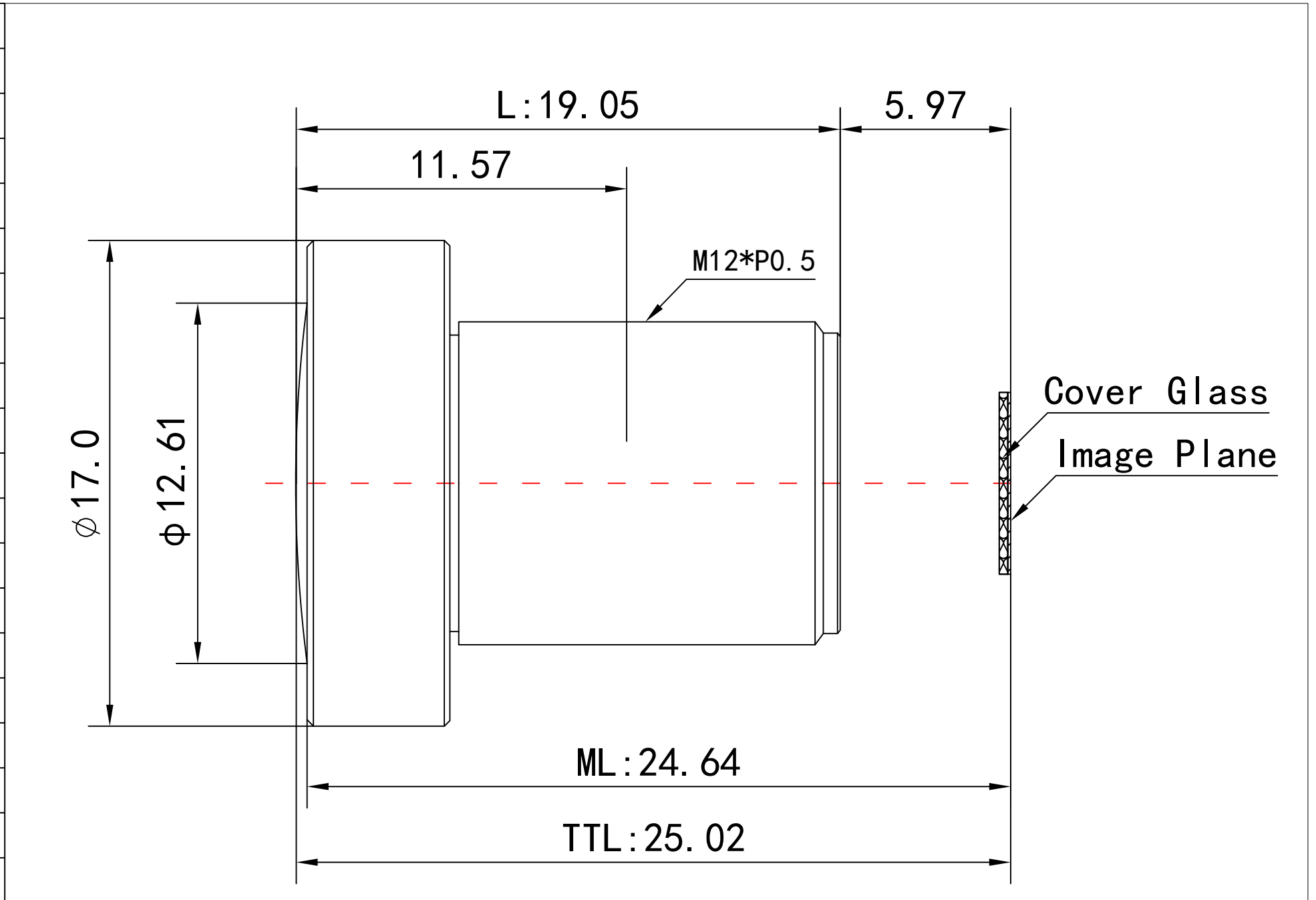
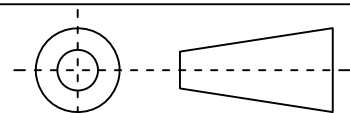


1	Type	Low Distortion Lens	
2	Resolution	8.8MP	
3	Image Format	1/1.8"	
4	Image Circle	φ9.0mm(MAX)	
5	EFL	8.0mm	
6	TTL	25.02mm	
7	F/NO.	8.0	
8	FFL (M)	5.97mm	
9	BFL (O)	9.38mm	
10	For Sensor	1/1.8"	1/3"
11	F.O.V	Horizontal	47° 32°
12		Vertical	35° 25°
13		Diagonal	56° 40°
14	TV Distortion	<-0.3%	<-0.2%
15	Relative Ill.	>60%	>65%
16	Chief Ray Angle	<24°	<24°
17	M.O.D	0.15m~∞	
18	Mount Type	M12*P0.5	
19	Dimension Figure	φ17.0*L19.05mm	
20	Lens Structure	7G8E All Glass	



Remark:无刻字

22	Weight	15g	Scale	Remark	Tolerances	Date	Revised		福州创安光电科技有限公司 FUZHOU CHUANGAN OPTICS CO., LTD
23	Iris Operation	Fixed		X	± 0.1	2019-04-11	CH162E Rev1.0		
24	Zoom Operation	Fixed	4: 1	X.0	± 0.05				
25	Focus Operation	Manual	Units	X.00	± 0.03	Design	Linda	2017-02-10	 3D Angle Projection
26	Operating Temperature	-20° +65°		X.000	± 0.001	Checked	Anna	2017-03-10	
27	Storage Temperature	-20° +85°	mm	Angle	± 0.5°	Approval	Sanmu	2017-03-28	