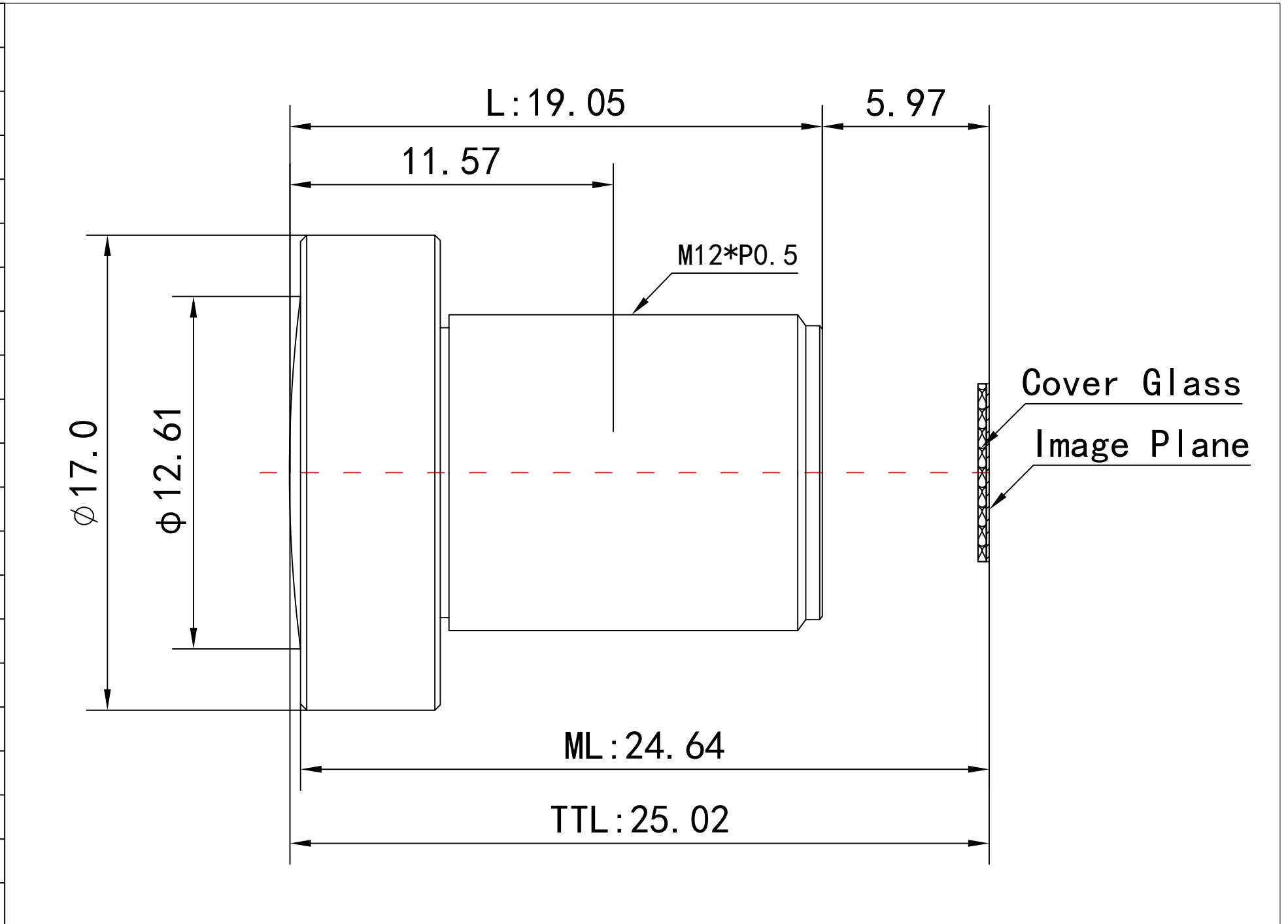


| | | | |
|----|-----------------------|---------------------|---------|
| 1 | Type | Low Distortion Lens | |
| 2 | Resolution | 8.8MP | |
| 3 | Image Format | 1/1.8" | |
| 4 | Image Circle | φ9.0mm(MAX) | |
| 5 | EFL | 8.0mm | |
| 6 | TTL | 25.02mm | |
| 7 | F/NO. | 5.6 | |
| 8 | FFL (M) | 5.97mm | |
| 9 | BFL (O) | 9.38mm | |
| 10 | For Sensor | 1/1.8" | 1/3" |
| 11 | F.O.V | Horizontal | 47° 32° |
| 12 | | Vertical | 35° 25° |
| 13 | | Diagonal | 56° 40° |
| 14 | TV Distortion | <-0.3% | <-0.2% |
| 15 | Relative Ill. | >60% | >65% |
| 16 | Chief Ray Angle | <24° | <24° |
| 17 | M.O.D | 0.15m~∞ | |
| 18 | Mount Type | M12*P0.5 | |
| 19 | Dimension Figure | φ17.0*L19.05mm | |
| 20 | Lens Structure | 7G8E All Glass | |
| 21 | Filter | Non-IR | |
| 22 | Weight | 15g | |
| 23 | Iris Operation | Fixed | |
| 24 | Zoom Operation | Fixed | |
| 25 | Focus Operation | Manual | |
| 26 | Operating Temperature | -20° +65° | |
| 27 | Storage Temperature | -20° +85° | |



| Scale | Remark | Tolerances | Date | Revised | | 福州创安光电科技有限公司 FUZHOU CHUANGAN OPTICS CO., LTD |
|-------|--------|------------|------------|---------------|------------|---|
| 4: 1 | X | ± 0.1 | 2017-04-11 | CH162C Rev1.0 | | |
| | X.0 | ± 0.05 | | | | |
| Units | X.00 | ± 0.03 | Design | Linda | 2017-02-10 | |
| | X.000 | ± 0.001 | Checked | Anna | 2017-03-10 | |
| mm | Angle | ± 0.5° | Approval | Sanmu | 2017-03-28 | |

