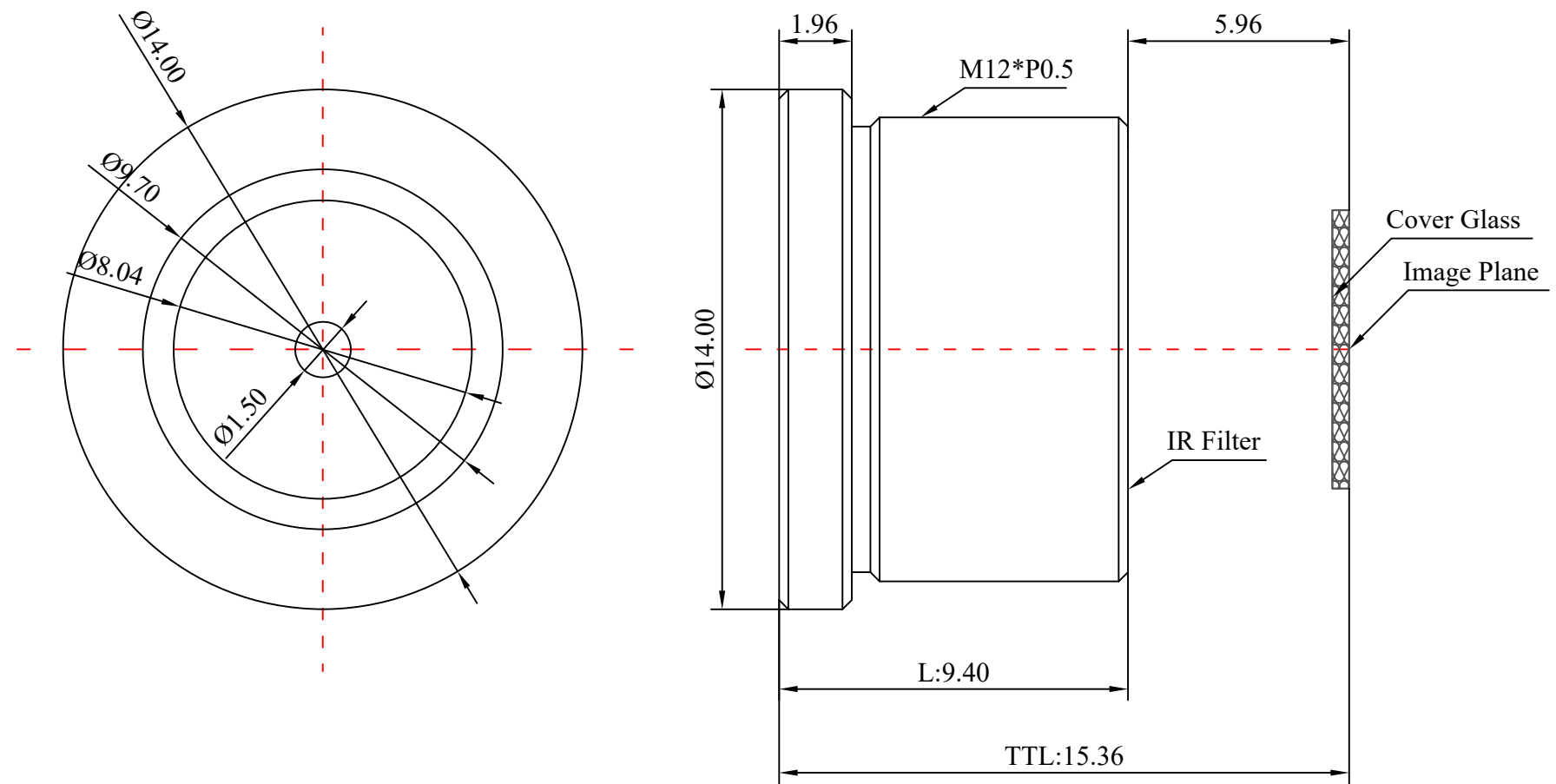


1	Type	Scan Lens	
2	Resolution	MP	
3	Image Format	1/2"(CCD/CMOS)	
4	Image Circle	φ8.5mm(MAX)	
5	EFL	8.5mm	
6	TTL	15.36mm	
7	F/NO.	5.6	
8	FFL (M)	5.96mm	
9	BFL (O)	7.50mm	
10	For Sensor	1/2"	
11	F.O.V	Horizontal	44.1°
12		Vertical	33.2°
13		Diagonal	54.3°
14	TV Distortion	<-1%	
15	Relative Ill.	>65.5%	
16	Chief Ray Angle	<8.6°	
17	M.O.D	0.1m~∞	
18	Mount Type	M12*P0.5	
19	Dimension Figure	φ14.00*L9.40mm	
20	Lens Structure	5G	
21	IR-Filter	Non-IR	
22	Weight	2.6g	
23	Iris Operation	Fixed	
24	Zoom Operation	Fixed	
25	Focus Operation	Manual	
26	Operating Temperature	-20° ~+85°	
27	Storage Temperature	-20° ~+85°	



Scale	Remark	Tolerances	Date	Revised		福州创安光电科技有限公司 FUZHOU CHUANGAN OPTICS CO., LTD
4: 1	X	± 0.2	2019-05-12	CH1527D Rev1.0		
	X.0	± 0.15				
Units	X.00	± 0.10	Design	Linda	2015-02-26	
	X.000	± 0.001	Checked	Anna	2015-04-28	
mm	Angle	± 0.5°	Approval	Sanmu	2015-05-02	

