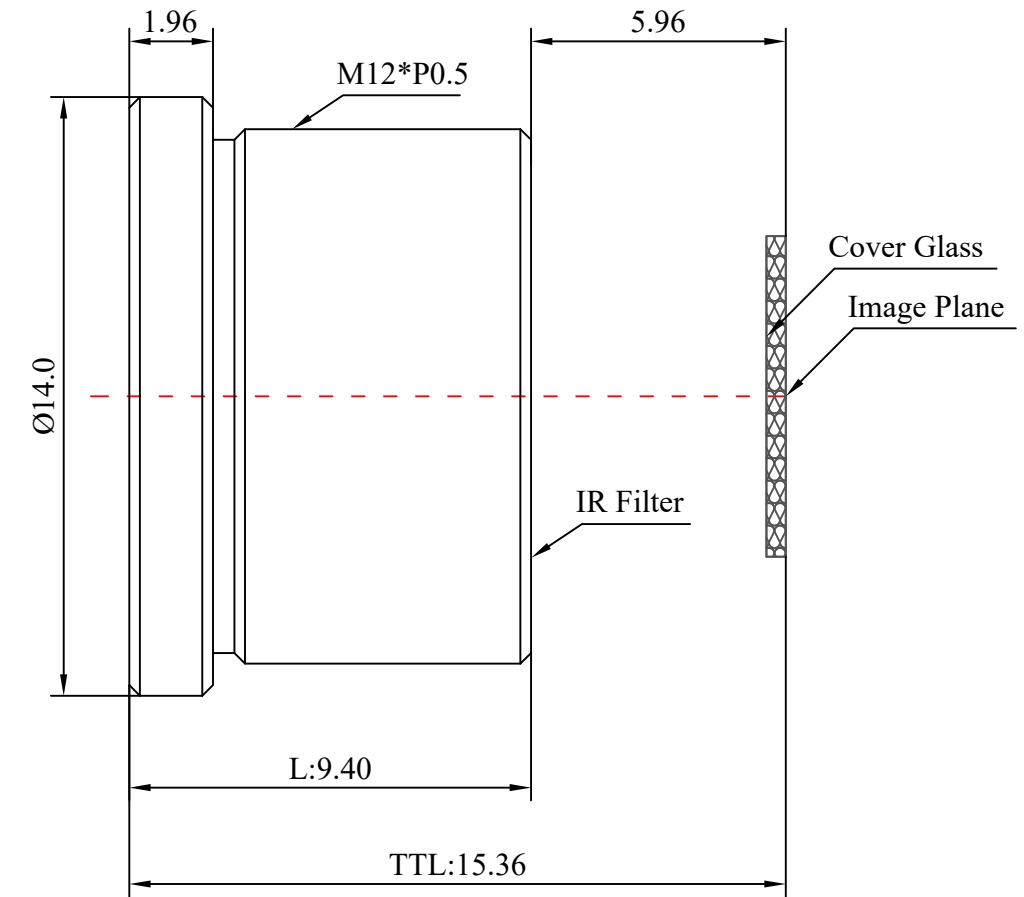
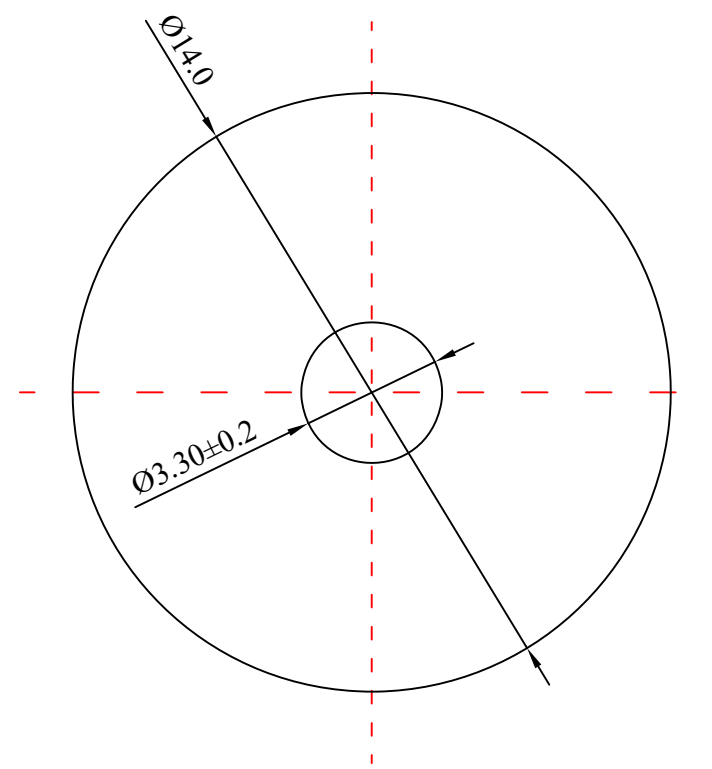


|    |                       |                |       |
|----|-----------------------|----------------|-------|
| 1  | Type                  | Scan Lens      |       |
| 2  | Resolution            | MP             |       |
| 3  | Image Format          | 1/2"(CCD/CMOS) |       |
| 4  | Image Circle          | φ8.5mm(MAX)    |       |
| 5  | EFL                   | 8.5mm          |       |
| 6  | TTL                   | 15.36mm        |       |
| 7  | F/NO.                 | 2.8            |       |
| 8  | FFL (M)               | 5.96mm         |       |
| 9  | BFL (O)               | 7.50mm         |       |
| 10 | For Sensor            | 1/2"           |       |
| 11 | F.O.V                 | Horizontal     | 44.1° |
| 12 |                       | Vertical       | 33.2° |
| 13 |                       | Diagonal       | 54.3° |
| 14 | TV Distortion         | <-1%           |       |
| 15 | Relative Ill.         | >65.5%         |       |
| 16 | Chief Ray Angle       | <8.6°          |       |
| 17 | M.O.D                 | 0.1m~∞         |       |
| 18 | Mount Type            | M12*P0.5       |       |
| 19 | Dimension Figure      | φ14.00*L9.40mm |       |
| 20 | Lens Structure        | 5G             |       |
| 21 | IR-Filter             | Non-IR         |       |
| 22 | Weight                | 2.6g           |       |
| 23 | Iris Operation        | Fixed          |       |
| 24 | Zoom Operation        | Fixed          |       |
| 25 | Focus Operation       | Manual         |       |
| 26 | Operating Temperature | -20° ~+85°     |       |
| 27 | Storage Temperature   | -20° ~+85°     |       |



| Scale | Remark | Tolerances | Date       | Revised        |            | 福州创安光电科技有限公司<br>FUZHOU CHUANGAN OPTICS CO., LTD |
|-------|--------|------------|------------|----------------|------------|---|
| 4: 1  | X      | ± 0.2      | 2019-05-12 | CH1527B Rev1.0 |            |   |
|       | X.0    | ± 0.15     |            |                |            |   |
| Units | X.00   | ± 0.10     | Design     | Linda          | 2015-02-26 |   |
|       | X.000  | ± 0.001    | Checked    | Anna           | 2015-04-28 |   |
| mm    | Angle  | ± 0.5°     | Approval   | Sanmu          | 2015-05-02 |   |

