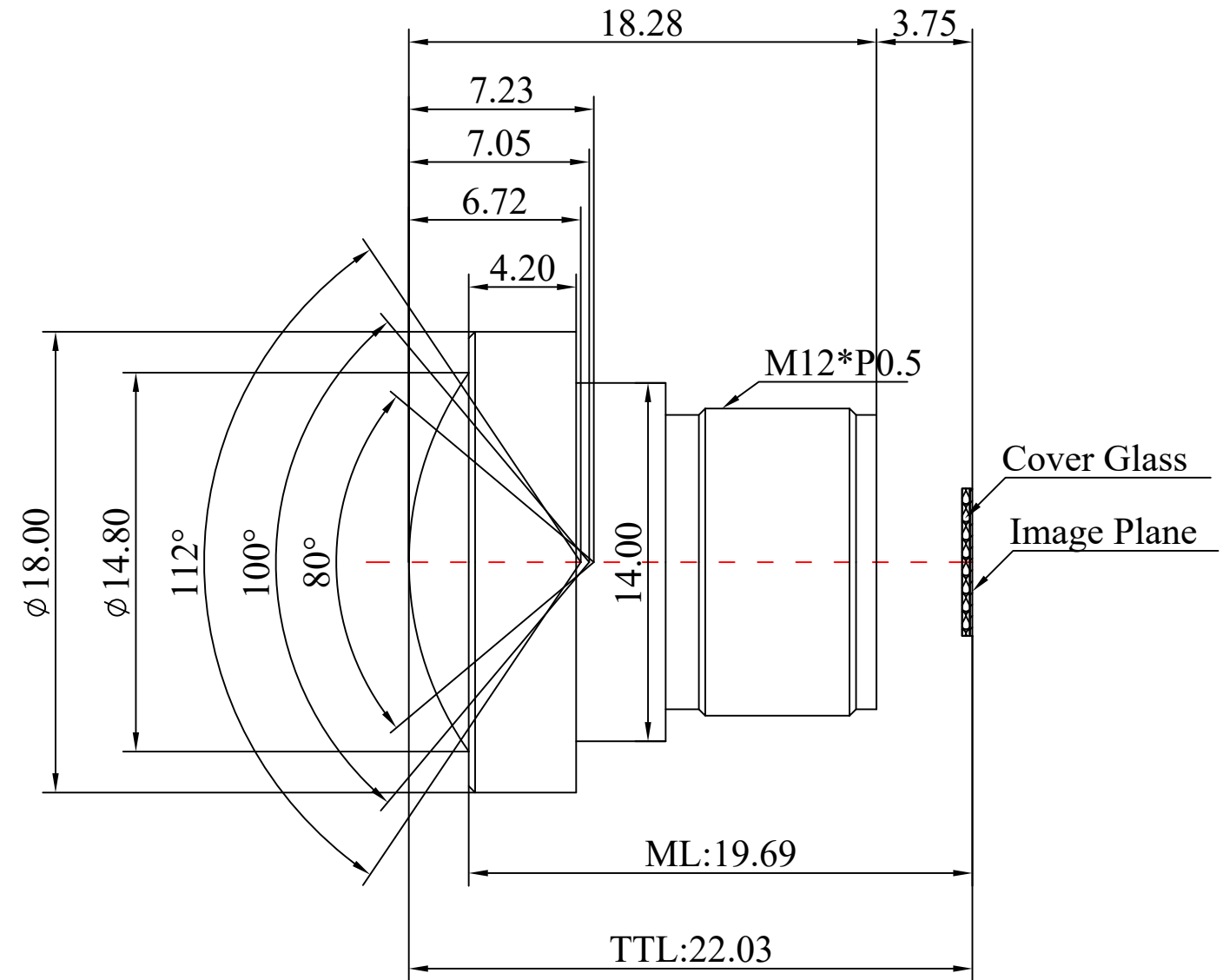
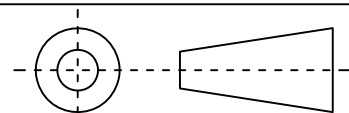


1	Type	Low Distortion Lens	
2	Resolution	12MP	
3	Image Format	1/2.5"	
4	Image Circle	φ7.2mm(MAX)	
5	EFL	2.6mm	
6	TTL	22.03mm	
7	F/NO.	2.8	
8	FFL (M)	3.75mm	
9	BFL (O)	5.06mm	
10	For Sensor	IMX274/317	AR0234
11	F.O.V	Horizontal	100°
12		Vertical	80°
13		Diagonal	112°
14	TV Distortion	<-3.5%	
15	Relative Ill.	>56%	
16	Chief Ray Angle	<20°	
17	M.O.D	0.1m~∞	
18	Mount Type	M12*P0.5	
19	Dimension Figure	φ18.0*L18.28mm	
20	Lens Structure	4G2P(PM)	
21	IR-Filter	Non-IR	
22	Weight	5g	
23	Iris Operation	Fixed	
24	Zoom Operation	Fixed	
25	Focus Operation	Manual	
26	Operating Temperature	-15° ~+65°	
27	Storage Temperature	-15° ~+65°	



Scale	Remark	Tolerances	Date	Revised		福州创安光电科技有限公司 FUZHOU CHUANGAN OPTICS CO., LTD
4: 1	X	± 0.2	2019-05-06	CH1128A Rev1.0		
	X.0	± 0.15				
Units	X.00	± 0.10	Design	Linda	2017-07-03	 3D Angle Projection
	X.000	± 0.001	Checked	Anna	2017-08-16	
mm	Angle	± 0.5°	Approval	Sanmu	2017-10-23	