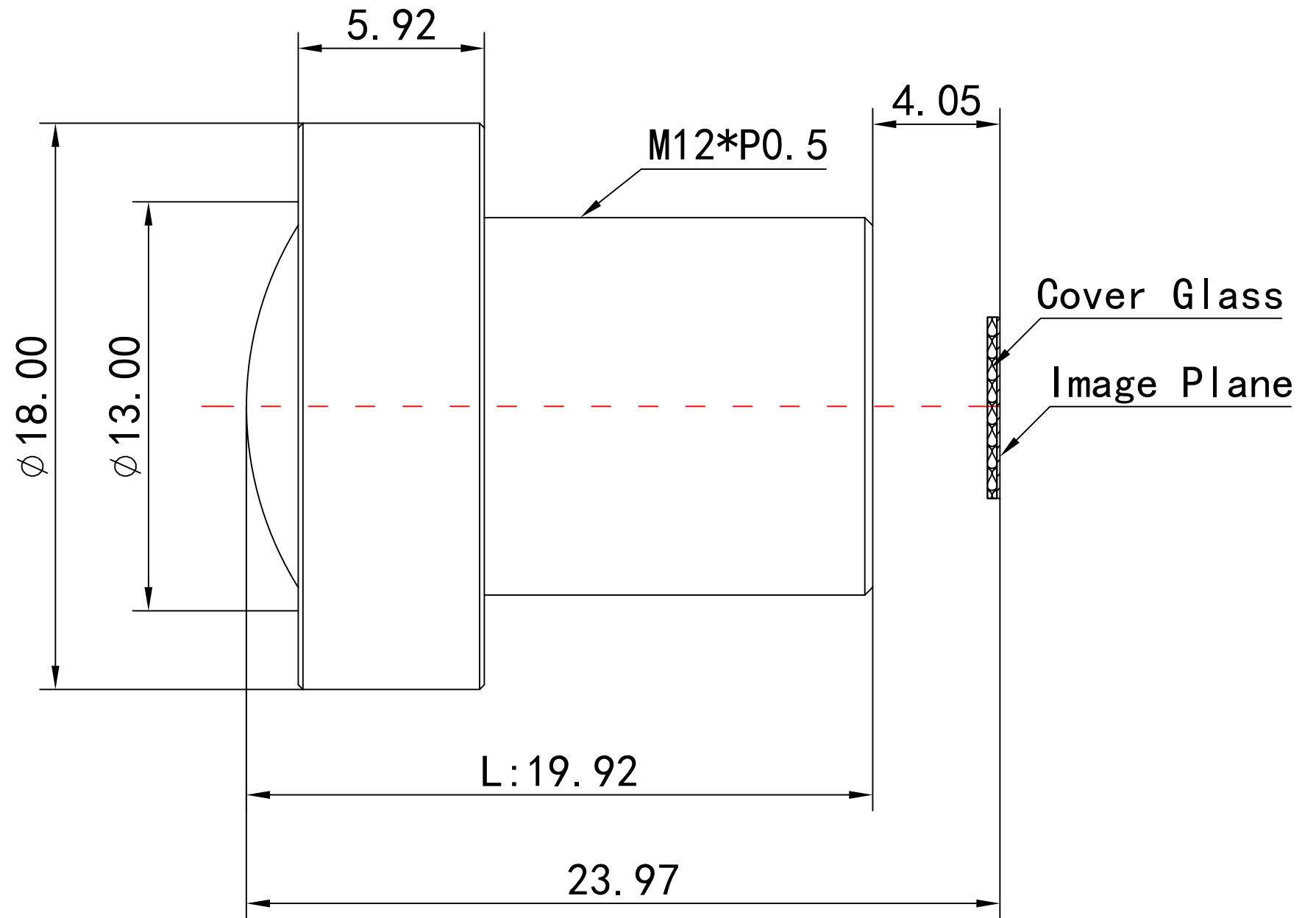
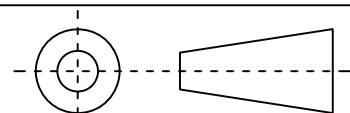


1	Type	Wide Angle Lens	
2	Resolution	14MP	
3	Image Format	1/2.3"	
4	Image Circle	φ7.8mm(MAX)	
5	EFL	2.83mm	
6	TTL	23.97mm	
7	F/NO.	2.3	
8	FFL (M)	4.05mm	
9	BFL (O)	5.36mm	
10	For Sensor	1/2.3"	
11	F.O.V	Horizontal	128°
12		Vertical	93°
13		Diagonal	150°
14	TV Distortion	<-20.63%	
15	Relative Ill.	>60%	
16	Chief Ray Angle	<10°	
17	M.O.D	0.1m~∞	
18	Mount Type	M12*P0.5	
19	Dimension Figure	φ18.0*L19.92mm	
20	Lens Structure	6G+1MO	
21	IR-Filter	T=50%&IR650±10nm	
22	Weight	7.3g	
23	Iris Operation	Fixed	
24	Zoom Operation	Fixed	
25	Focus Operation	Manual	
26	Operating Temperature	-20° ~+ 85°	
27	Storage Temperature	-20° ~+ 85°	



Scale	Remark	Tolerances	Date	Revised		福州创安光电科技有限公司 FUZHOU CHUANGAN OPTICS CO., LTD
4: 1	X	± 0.2	2019-05-06	CH1127B Rev1.0		
	X.0	± 0.15				
Units	X.00	± 0.10	Design	Linda	2017-07-03	 3D Angle Projection
	X.000	± 0.001	Checked	Anna	2017-08-16	
mm	Angle	± 0.5°	Approval	Sanmu	2017-10-23	