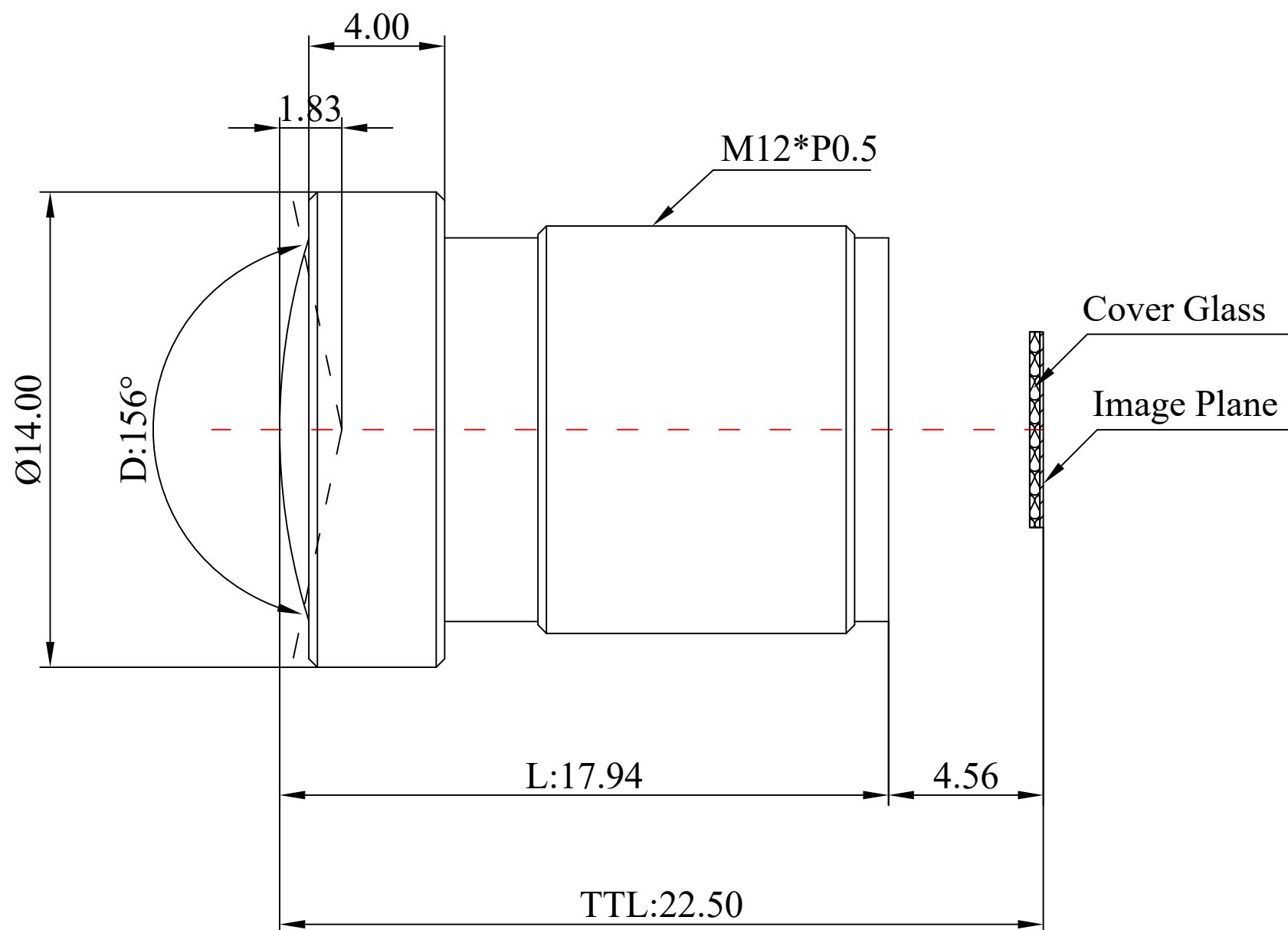
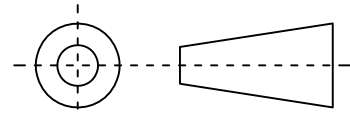


1	Type	Wide Angle Lens	
2	Resolution	8.8MP	
3	Image Format	1/1.8"	
4	Image Circle	φ9.2mm(MAX)	
5	EFL	3.93mm	
6	TTL	22.50mm	
7	F/NO.	2.0	
8	FFL (M)	4.56mm	
9	BFL (O)	5.59mm	
10	For Sensor	IMX334	
11	F.O.V	Horizontal	129°
12		Vertical	68°
13		Diagonal	156°
14	OPT Distortion	<-78%	
15	Relative Ill.	>50%	
16	Chief Ray Angle	<15°	
17	M.O.D	0.1m~∞	
18	Mount Type	M12*P0.5	
19	Dimension Figure	φ14.0*L17.94mm	
20	Lens Structure	7G	
21	IR-Filter	Non-IR	
22	Waterproof	IP67	
23	Weight	---	
24	Iris Operation	Fixed	
25	Zoom Operation	Fixed	
26	Focus Operation	Manual	
27	Operating Temperature	-20° ~+85°	
28	Storage Temperature	-20° ~+85°	



Scale	Remark	Tolerances	Date	Revised		福州创安光电科技有限公司 FUZHOU CHUANGAN OPTICS CO., LTD
4:1	X	±0.2	2022-09-02	CH1121B Rev1.1		
	X.0	±0.15				
Units	X.00	±0.10	Design	Linda	2020-06-10	 3D Angle Projection
	X.000	±0.001	Checked	Anna	2020-07-20	
mm	Angle	±0.5°	Approval	Sanmu	2020-07-22	