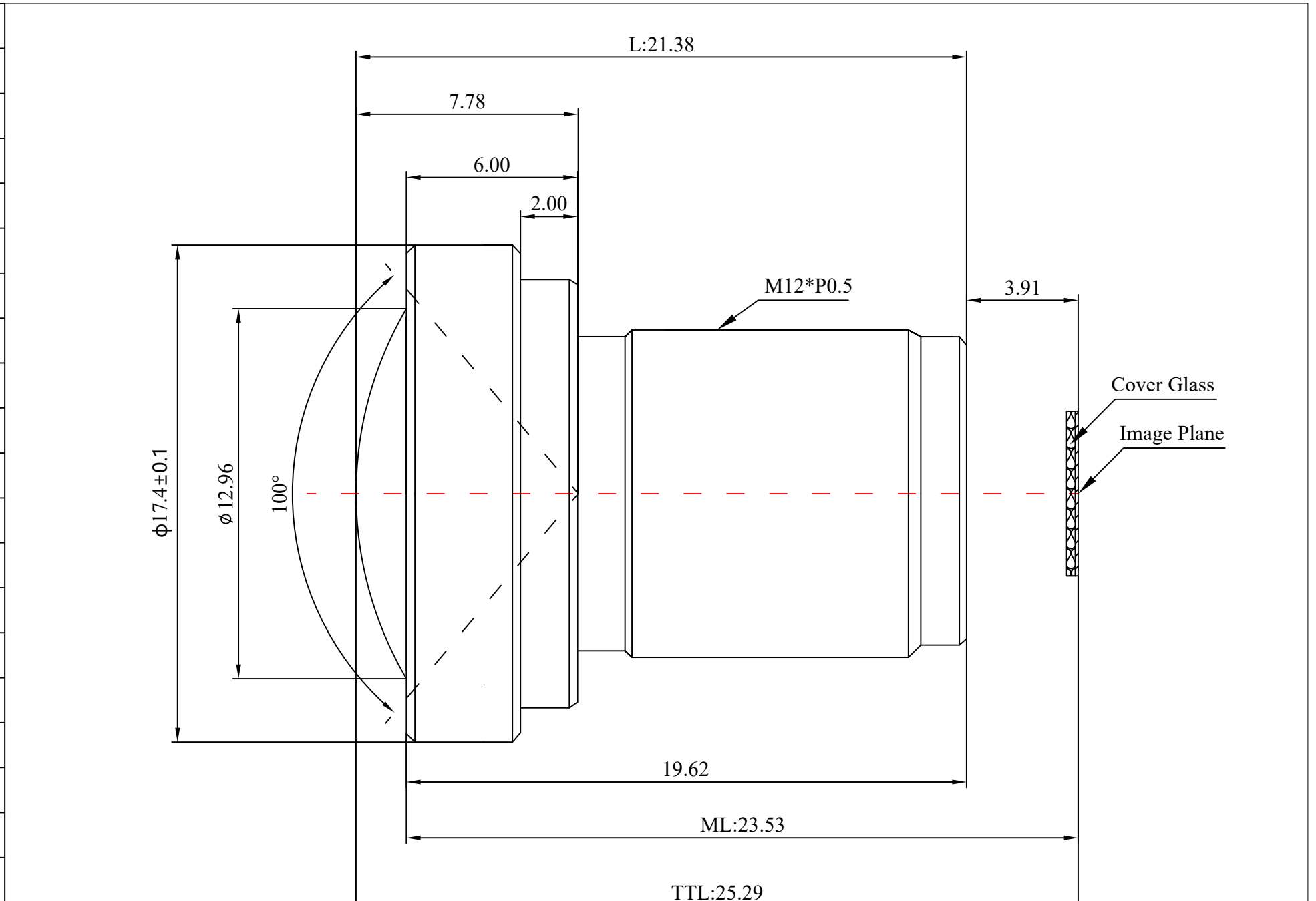


1	Type	Low Distortion Lens		
2	Resolution	16MP		
3	Image Format	1/2.3" & 1/2.5"		
4	Image Circle	φ8.0mm(MAX)		
5	EFL	2.7mm		
6	TTL	25.29mm		
7	F/NO.	2.8		
8	FFL (M)	3.91mm		
9	BFL (O)	5.93mm		
10	For Sensor	IMX377	IMX577	
11	F.O.V	Horizontal	77°	85.4°
12		Vertical	61.1°	69°
13		Diagonal	87.7°	99.54°
14	TV Distortion	<-1%	<-1.5%	
15	Relative Ill.	>78%	>79%	
16	Chief Ray Angle	<10°	<10.2°	
17	M.O.D	0.1m~∞		
18	Mount Type	M12*P0.5		
19	Dimension Figure	φ17.4*L21.38mm		
20	Lens Structure	4G+2GM		

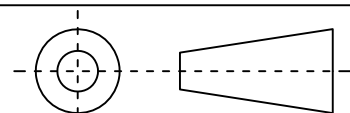


IR No.:CH6087A

21	IR-Filter	NDVI	
22	Weight	6.9g	
23	Iris Operation	Fixed	
24	Zoom Operation	Fixed	
25	Focus Operation	Manual	
26	Operating Temperature	-20° ~+85°	
27	Storage Temperature	-20° ~+85°	

Scale	Remark	Tolerances	Date	Revised	
4: 1	X	± 0.2	2019-05-05	CH1117AD Rev1.0	
	X.0	± 0.15			
Units	X.00	± 0.10	Design	Linda	2017-06-11
	X.000	± 0.001	Checked	Anna	2017-08-12
mm	Angle	± 0.5°	Approval	Sanmu	2017-08-15

福州创安光电科技有限公司
FUZHOU CHUANGAN OPTICS CO., LTD



3D Angle Projection